

— Fuji IGBT Module V Series 1200V Family —

Radiation noise comparison by the difference in a gate capacitance connection position

Type name : 2MBI300VH-120-50

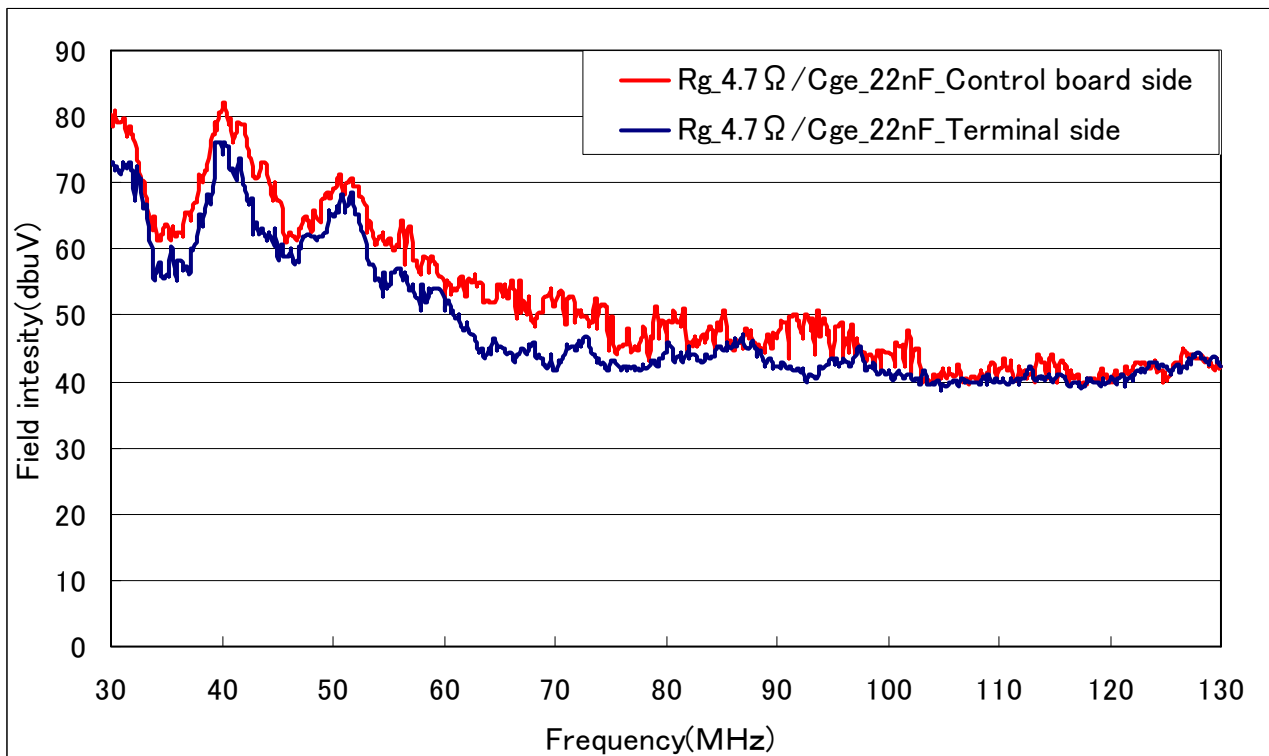
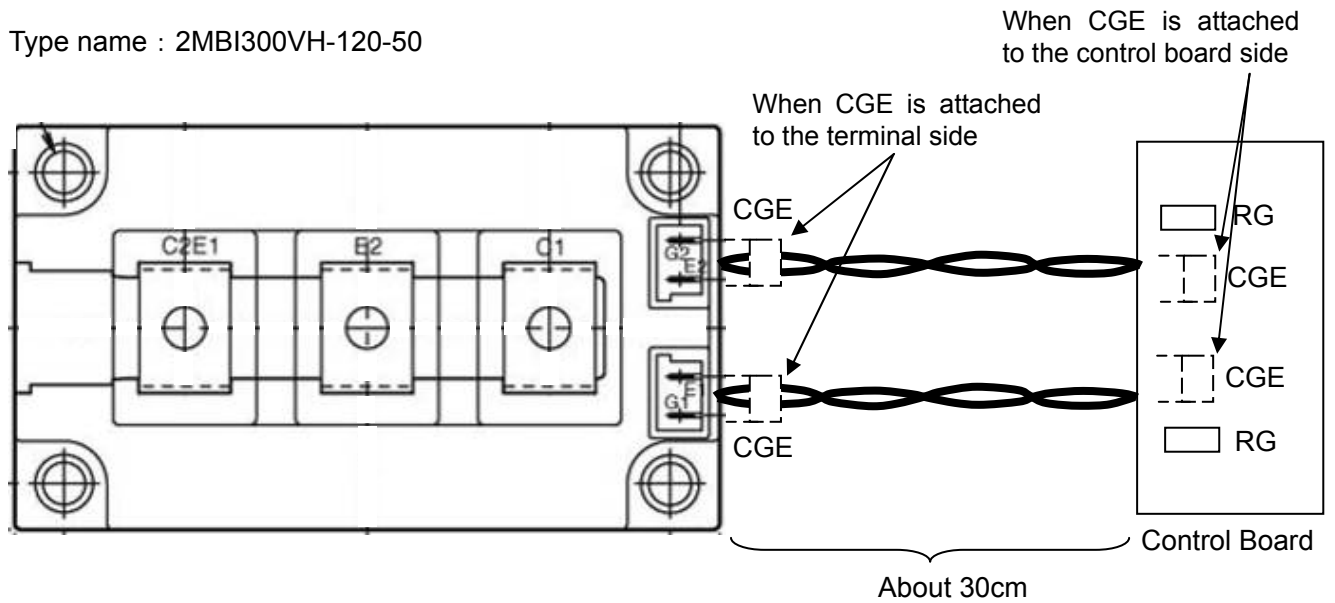


Figure Radiation noise comparison by the difference in a gate capacitance connection position

As shown in the above figure, the higher noise reduction effect is acquired by connecting Cge to the module terminal side.

Technical data : MT5F25003