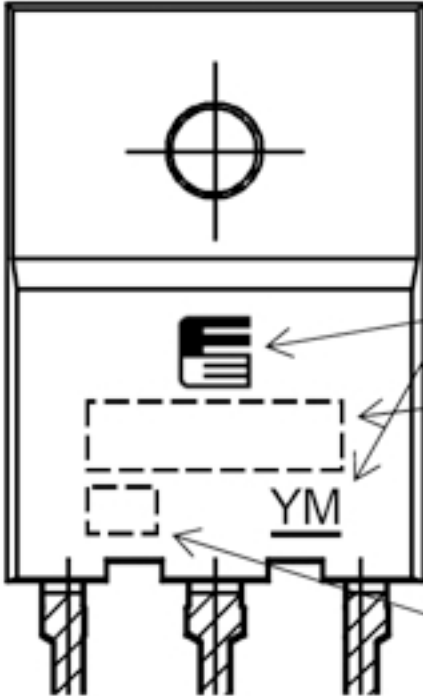
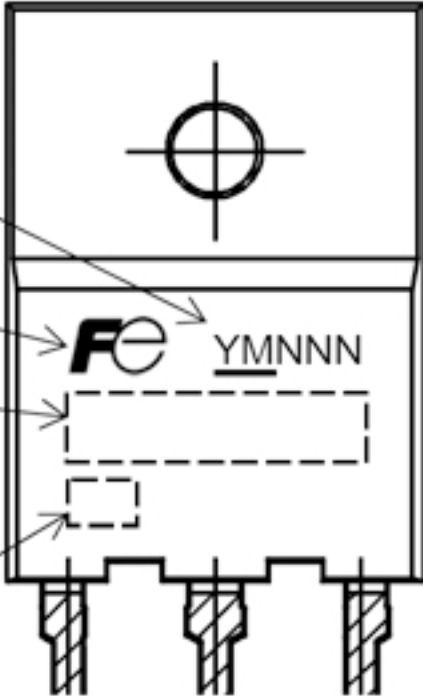


6) Changing of Marking and Applied Products

<p>Applicability</p>	<p>Power MOSFET TO-3PF Package</p>		
<p>Changing of Marking</p>	<div style="display: flex; justify-content: space-around;"> <div style="text-align: center;"> <p><Current Marking></p>  <p>Date code & lot number: YM (year/month)</p> </div> <div style="text-align: center;"> <p><New Marking></p>  <p>Date code & lot number : YMNNN (year/month/serial number)</p> </div> </div> <div style="text-align: center; margin-top: 20px;"> <p>Labels for marking changes:</p> <ul style="list-style-type: none"> Date Code & lot number Trademark Type name Optional mark </div>		
<p>Applied Products (Basic P/N)</p>	<p>2SK2691-01R</p>	<p>2SK2894-01R 2SK2899-01R 2SK2905-01R 2SK2907-01R</p>	<p>2SK2224-01R 2SK2653-01R 2SK2759-01R 2SK3876-01R</p>

* The applied products were include the derivation parts number, such as lead-forming , optional packing , characteristic classification and etc.