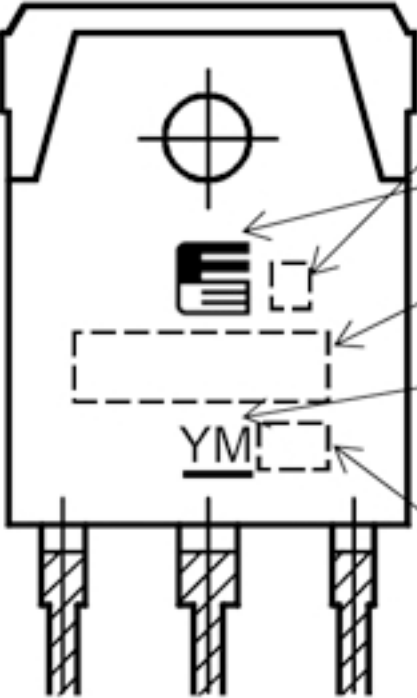



6) Changing of Marking and Applied Products

<p>Applicability</p>	<p>Power MOSFET TO-3P Package</p>		
<p>Changing of Marking</p>	<div style="display: flex; justify-content: space-around;"> <div style="text-align: center;"> <p><Current Marking></p>  <p>Date code & lot number: YM (year/month)</p> </div> <div style="text-align: center;"> <p><New Marking></p>  <p>Date code & lot number : YMN (year/month/serial number)</p> </div> </div> <div style="margin-top: 20px; text-align: center;"> <p>Country of origin mark</p> <p>Trademark</p> <p>Type name</p> <p>Date Code & lot number</p> <p>Optional mark</p> </div>		
<p>Applied Products (Basic P/N)</p>	<p>2SK2690-01</p>	<p>2SK2893-01 2SK2898-01HG 2SK2898-01 2SK2904-01 2SK2906-01</p>	<p>2SK1942-01 2SK2643-01 2SK2652-01 2SK2753-01 2SK2755-01 2SK2770-01</p>

* The applied products were include the derivation parts number, such as lead-forming , optional packing , characteristic classification and etc.