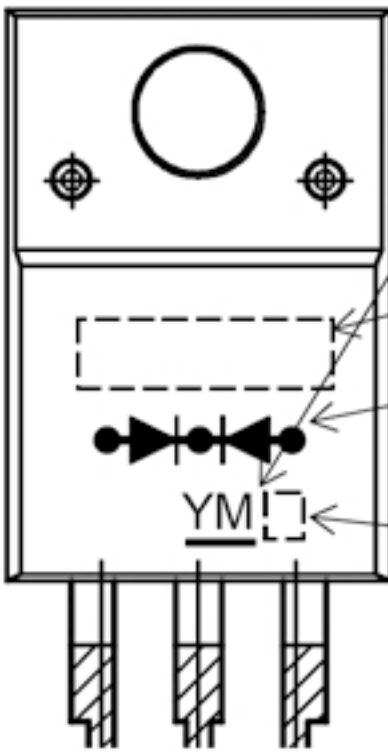
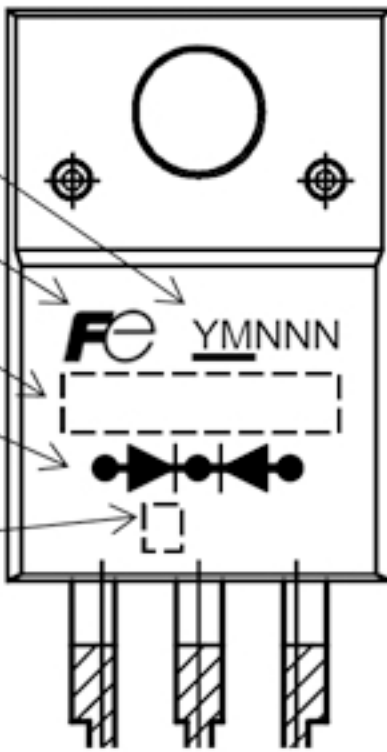


## 6) Changing of Marking and Applied Products

Applicability	Rectifiers TO-220F Package			
Changing of Marking	<div style="display: flex; justify-content: space-around;"> <div style="text-align: center;"> <p>&lt;Current Marking&gt;</p>  <p>Date code &amp; lot number: YM (year/month)</p> </div> <div style="text-align: center;"> <p>&lt;New Marking&gt;</p>  <p>Date code &amp; lot number : YMNNN (year/month/serial number)</p> </div> </div> <div style="margin-top: 10px;"> <p>Labels for marking changes:</p> <ul style="list-style-type: none"> <li>Date Code &amp; lot number</li> <li>Trademark</li> <li>Type name</li> <li>Polarity mark</li> <li>Country of origin mark</li> </ul> </div>			
Applied Products (Basic P/N)	<p>YG802C04R</p> <p>YG802C04RH</p> <p>YG802C09R</p> <p>YG802C09RS</p> <p>YG811S04R</p> <p>YG811S06R</p> <p>YG862C06R</p> <p>YG862C15R</p> <p>YG865C04R</p> <p>YG865C06R</p> <p>YG865C10R</p> <p>YG865C12R</p> <p>YG865C15R</p> <p>YG868C10R</p> <p>YG868C15R</p> <p>YG911S3R</p> <p>YG912S2R</p>	<p>YG801C04R</p> <p>YG801C06R</p> <p>YG801C09R</p> <p>YG801C10R</p> <p>YG802C03R</p> <p>YG802C10R</p> <p>YG803C04R</p> <p>YG803C06R</p> <p>YG804S06R</p> <p>YG805C04R</p> <p>YG808C10R-80</p> <p>YG808C10R</p> <p>YG811S09RA</p> <p>YG811S09R</p> <p>YG812S04R</p> <p>YG812S06R</p> <p>YG831C03R</p>	<p>YG831C04R</p> <p>YG832C03R</p> <p>YG832C04R</p> <p>YG835C03R</p> <p>YG835C04R</p> <p>YG838C03R</p> <p>YG838C04R</p> <p>YG861S06R</p> <p>YG861S12R</p> <p>YG861S15R</p> <p>YG862C04R</p> <p>YG862C10R</p> <p>YG862C12R</p> <p>YG862C25R</p> <p>YG865C25R</p> <p>YG868C04R</p>	<p>YG868C06R</p> <p>YG868C08R</p> <p>YG868C12R</p> <p>YG868C25R</p> <p>YG882C02R</p> <p>YG885C02R</p> <p>YG901C2R</p> <p>YG901C3R</p> <p>YG904C2R</p> <p>YG912S6R</p>

\* The applied products were include the derivation parts number, such as lead-forming , optional packing , characteristic classification and etc.