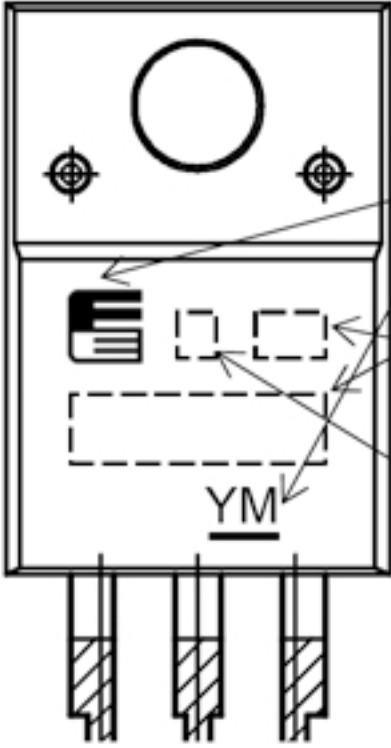
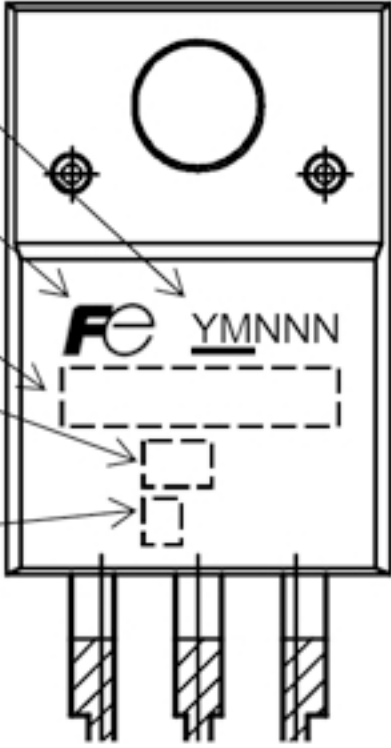


6) Changing of Marking and Applied Products

| | | | |
|---|--|--|---|
| <p>Applicability</p> | <p>Power MOSFET TO-220F Package</p> | | |
| <p>Changing of Marking</p> | <div style="display: flex; justify-content: space-around;"> <div style="text-align: center;"> <p><Current Marking></p>  <p>Date code & lot number: YM (year/month)</p> </div> <div style="text-align: center;"> <p><New Marking></p>  <p>Date code & lot number : YMNNN (year/month/serial number)</p> </div> </div> <div style="margin-top: 20px; text-align: center;"> <p>Legend for Marking Changes:</p> <ul style="list-style-type: none"> Date Code & lot number Trademark Type name Optional mark Country of origin mark </div> | | |
| <p>Applied Products (Basic P/N)</p> | <p>2SK1946-01MR 2SK2098-01MR 2SK2098-53MR 2SK2809-01MR</p> | <p>2SJ354-01MR 2SK2689-01MR 2SK2808-01MR 2SK2890-01MR 2SK2897-01MR 2SK2902-01MR 2SK3262-01MR</p> | <p>2SK1984-01MR 2SK2769-01MR 2SK3217-01MR</p> |

* The applied products were include the derivation parts number, such as lead-forming , optional packing , characteristic classification and etc.