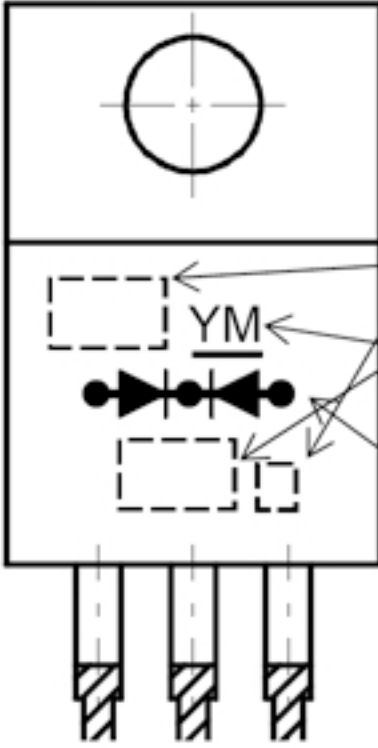



## 6) Changing of Marking and Applied Products

<p>Applicability</p>	<p>Rectifiers TO-220 Package</p>	
<p>Changing of Marking</p>	<div style="display: flex; justify-content: space-around; align-items: center;"> <div style="text-align: center;"> <p>&lt;Current Marking&gt;</p>  <p>Date code &amp; lot number: YM (year/month)</p> </div> <div style="text-align: center;"> <p>&lt;New Marking&gt;</p>  <p>Date code &amp; lot number : YMNNN (year/month/serial number)</p> </div> </div> <div style="margin-top: 20px; text-align: center;"> <p>Country of origin mark</p> <p>Trademark</p> <p>Type name</p> <p>Date Code &amp; lot number</p> <p>Polarity mark</p> </div>	
<p>Applied Products (Basic P/N)</p>	<p>ESAB82-004R ESAB92-02R ESAC63-004R ESAC63-006R ESAC82-004R ESAC85-009R ESAC92-02R</p>	

\* The applied products were include the derivation parts number, such as lead-forming , optional packing , characteristic classification and etc.