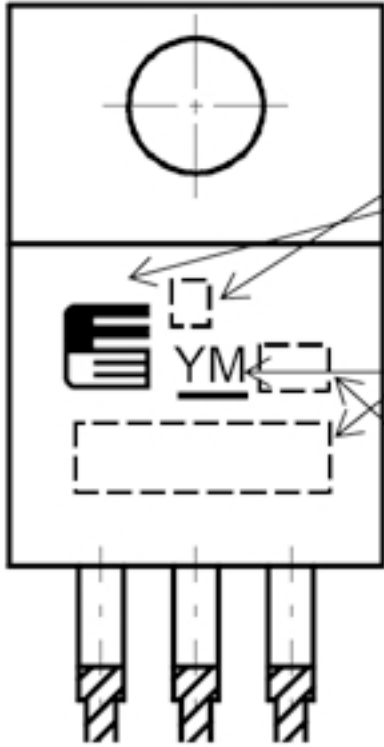



## 6) Changing of Marking and Applied Products

<p>Applicability</p>	<p>Power MOSFET TO-220 Package</p>	
<p>Changing of Marking</p>	<div style="display: flex; justify-content: space-around;"> <div style="text-align: center;"> <p>&lt;Current Marking&gt;</p>  <p>Date code &amp; lot number: YM (year/month)</p> </div> <div style="text-align: center;"> <p>&lt;New Marking&gt;</p>  <p>Date code &amp; lot number : YMNNN (year/month/serial number)</p> </div> </div> <div style="text-align: center; margin-top: 20px;"> <p>Country of origin mark</p> <p>Trademark</p> <p>Type name</p> <p>Date Code &amp; lot number</p> <p>Optional mark</p> </div>	
<p>Applied Products (Basic P/N)</p>	<p>2SJ475-01 2SK2806-01 2SK2832-01 2SK2900-01 2SK3362-01 2SK3363-01 2SK3364-01</p>	<p>2SK1983-01 2SK1986-01 2SK2256-01 2SK2646-01 2SK2767-01 2SK3216-01</p>

\* The applied products were include the derivation parts number, such as lead-forming , optional packing , characteristic classification and etc.