

FUJI CLUTCH MOTOR

The FUJI clutch motor is widely used in industrial sewing machines, small winding machines and machine tools where frequent on-off operation is required. In sewing machines for industrial use, on-off operation is repeated every 3 seconds (about 20,000 times a day in maximum use). An ordinary motor with interlocking brake would cause the following difficulties :

- 1) Increased power consumption and temperature rise : continuous operation with large starting torque requires more current than the maximum permissible continuous current.
- 2) Inconstant speed (rpm) : The time of normal operation (necessary torque) is short.
- 3) Short life : Contact points of the switch wear out rapidly.

The FUJI clutch motor, lacking all these disadvantages, is particularly applicable to operations requiring constant repetition of switching on and off.

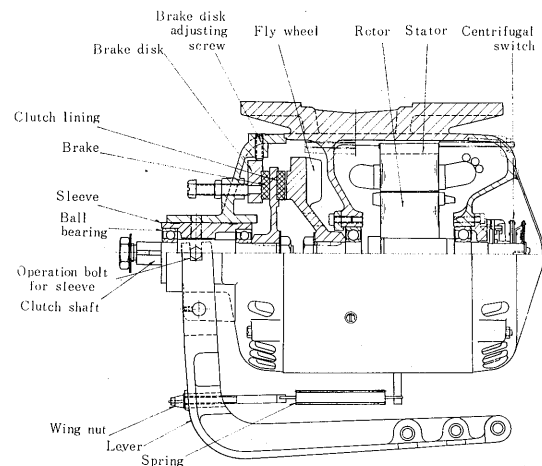
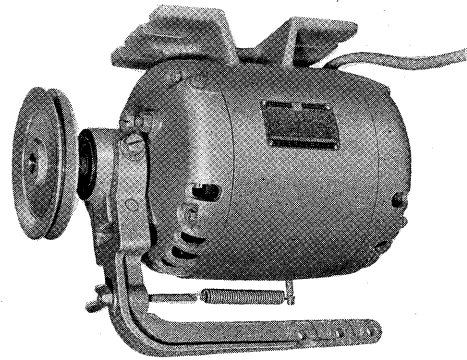
Specifications

Model	aBRE 1011-2	aBRE 282-4	aBRC 2511-2
Power output (W)	100	200	200
Voltage (V)	Single phase 100	Single phase 100	Three phase 200
Poles	2	4	2
Speed (rpm)	2845/3400	1430/1720	2850/3420
Frequency (c/s)	50/60	50/60	50/60
Current (A)	2.8/2.6	5.1/4.4	1.0/0.95
Weight (kg)	13	19	19.5
Model approved number	▽9-2760	▽9-2760	▽9-2760

Features

- 1) Instantaneous start and stop : Motor shaft is equipped with a highly efficient flywheel ; clutch shaft is given special heat treatment to resist shock of quick start and stop.
- 2) Trouble-free clutch mechanism : The sleeve on the clutch shaft completely eliminates troubles usually encountered with moving parts on the clutch shaft. The guide has been made as long as possible, precisely treated and grease lubricated ; the sleeve is operated by a lever, so there is no danger of spoiling sewing cloth while using sewing machine.

- 3) Durable friction board : Both brake disk and clutch lining are made of special cork boardexcellent in the friction coefficient as well as in flexibility.....resulting in accuracy of quick start and stop operation and durability for many years' service.
- 4) Lubrication-free, sealed bearing : Sealed against oil leakage and intrusion of foreign matter. Lithium grease packing assures maximum life to the bearing.
- 5) Powerful FUJI motor : The FUJI motor is well known for its vibrationless and noiseless operational characteristics.



(By H. Oguri, Standard Electric Machine and Apparatus Dep't.)