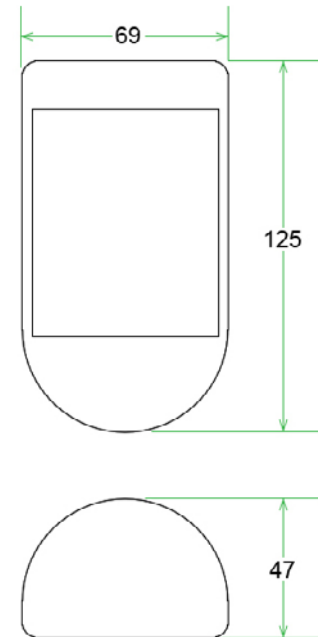
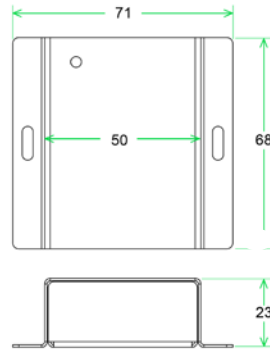




Motion Sensor (SEC-LUX)



General Description

Industrial grade motion sensor that has digital signal analysis for consistent detection throughout the coverage pattern.

Key Features

- Plugs into the base unit (BASE-WIRED).
- Powered by the base unit (BASE-WIRED).
- OU and rack mountable.
- Plug and play sensor.
- Digital signal analysis.
- Digital temperature compensation for improved catch performance at critical temperature levels.
- Accurate detection of human IR energy over a broad range of temperatures

Technical Specifications

Power Source	SensorGateway (BASE-WIRED)
Power Usage	456 mW
Certification	ULC , C-tick, INCERT, CCC, CE, UL

Environmental and Physical Specification

Operating temperature range	0°C to +75°C (32°F to +167°F)
Humidity (operating and storage)	< 90% rH (non-condensating).
Probe Dimensions	71 mm (2.8") x 68 mm (2.7") x 23 mm (0.9")
Weight	0.43kg (0.9 lbs.)